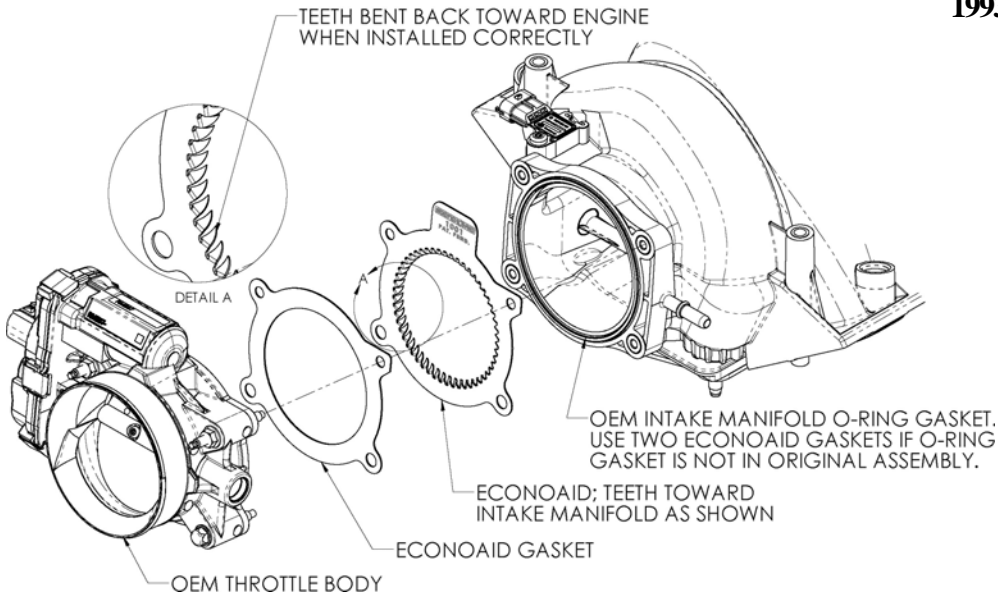




# Part Number 1004

1991-06 Jeep  
TJ, YJ Wrangler  
XJ Cherokee  
1993-04 Grand Cherokee  
4.0L Engines



### Tools Required For Installation

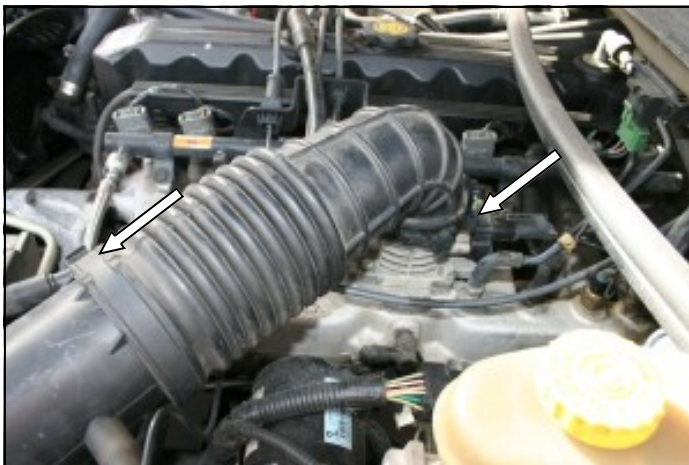
5/16", 10mm Sockets  
Ratchet and Extension

### Parts List

#1	ECONOAID	x1
#2	Gasket	x2

Thank you for purchasing the ECONOAID Throttlebody Booster. Please read the instruction manual carefully before proceeding with the installation. Contact ECONOAID @ (888) 876-4676 8:00 AM - 5:00 PM MST Weekdays for questions regarding fit or instructions that are not clear to you. Your ECONOAID Throttlebody Booster was carefully inspected and packaged. Check that no parts are missing, or were damaged during shipping. If any parts are missing, please contact ECONOAID.

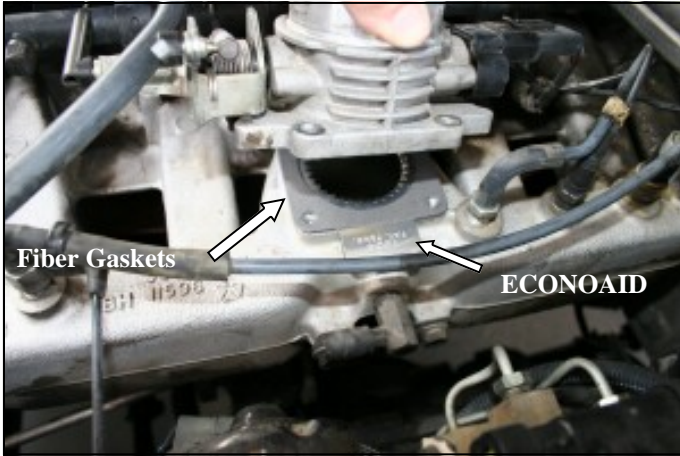
U.S. Pat. #7,665,442



1. **Disconnect the negative battery cable!**  
Loosen the two hose clamps that secure the air intake tube to the throttlebody and to the airbox. Remove the intake tube from the vehicle.



2. Remove the four bolts holding the throttlebody to the intake manifold.

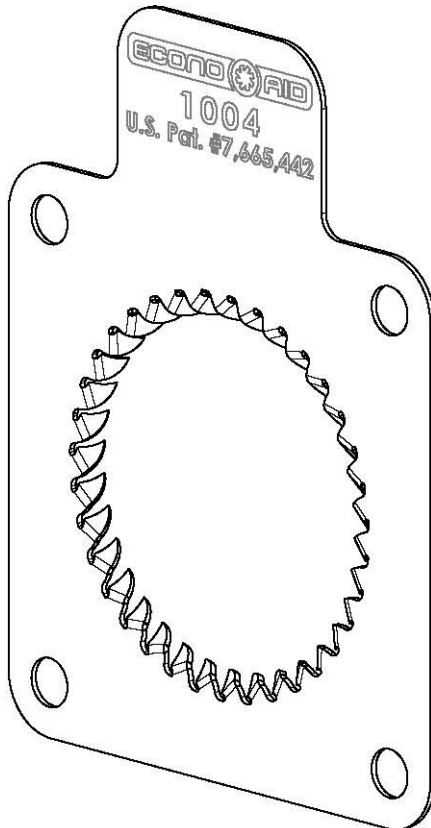


**3.** Lift the throttle body up off of the intake manifold and remove the old gasket. Install the ECONOAID Throttlebody Booster with one of the supplied gaskets on top of the plate, and one under the plate, between the throttlebody and the intake manifold with the logo facing the throttlebody. Reinstall the factory bolts and tighten them to the manufacturer's specifications. Before starting the engine, open and close the throttlebody to make sure there are no obstructions.

**4.** Reinstall the air intake tube and tighten the clamps.

**5.** Double check your work. Make sure there is no foreign material in the intake tract. Make sure all clamps, connectors, hoses, nuts, and bolts are secure.

**Reconnect the negative battery cable.**



Included with your ECONOAID Throttlebody Booster is a decal with the California Air Resources Board ( C.A.R.B. ) Executive Order number **D-520-4**. This decal must be placed in plain view inside the engine compartment. Failure to do may prevent you from passing a smog inspection.

Instructions Revision  
11/11/10